

# Current-compensated Chokes - Nanocrystalline Core



- Performance nanocrystalline core material
- AC and DC applications
- Low magnetic leakage flux
- Excellent winding insulation
- Broad range of inductance ratings
- RV8141 - horizontal orientation
- RV8541 - vertical orientation



### Performance indicators

standard	high	very high
	RV8x40	RV8x41

### Common-mode Inductance [mH]

Inductance [mH]	Configuration	Models
0.1	1.8	RV8140 & RV8540
0.3	16.3	RV8141 & RV8541
0.1	7.2 (2-line)	RV8140 & RV8540
1.2	65.2 (2-line)	RV8141 & RV8541

### Rated current [A]

Rated current [A]	Value
0.2	50

### Approvals & Compliances



### Features and Benefits

#### EV wallbox chargers up to 35kW

- On the grid side, the 4-line choke can be installed as 3 phases and neutral
- On the vehicle side of the charger (DC charging), 2 windings of the choke are connected in series or parallel
- Complies with choke-related requirements in IEC/EN 61851-1: Electric vehicle conductive charging system, IEC/EN 61851-21-2 (AC charging) & IEC/EN 61851-23: (DC charging)
- Complies with choke-related requirements in UL 2202 Electric Vehicle (EV) Charging System Equipment

#### Horizontal Version - Four Performance Choices

- S01 Standard
- S03 Standard Plus- increased height
- S11 Small
- S13 Small - increased height

#### Vertical Version - Four Performance Choices

- S02 Standard
- S06 Standard, thin - reduced core height
- S12 Small
- S16 Small, thin- reduced core height

Also available with ferrite cores: RV8140 (horizontal) & RV8540 (vertical)

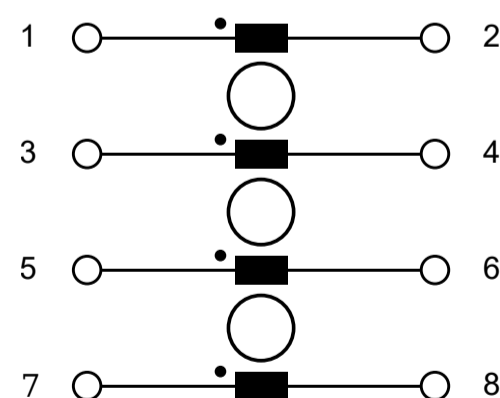
## Technical Specifications

<b>Rated currents</b>	16 to 50 A @ 60°C
<b>Operating frequency</b>	50/60 Hz DC
<b>Creepage and clearance distances</b>	Creepage: ≥ 7.2 mm (Coil - Coil) Clearance: ≥ 5.6 mm (Coil - Coil)
<b>High potential test voltage</b>	3 kV AC 2s coil to coil
<b>Rated inductance</b>	0.3 to 16.3 mH (4-line or parallel connection) 1.2 to 65.2 mH (2-line, series connection)
<b>Operating voltage</b>	530 VAC RMS 1000 VDC
<b>Overtoltage category</b>	530 VAC: III (acc. IEC 60664-1) 1000 VDC: II (acc. IEC 60664-1)
<b>Pollution degree</b>	PD2 (acc. IEC60664-1)
<b>Stray inductance</b>	Max. 1% of rated inductance @ 10 kHz
<b>Temperature range (operation and storage)</b>	-40°C to +125°C
<b>Climatic category</b>	40/125/56 (acc. IEC 60068-1)
<b>Cooling</b>	AN
<b>Altitude</b>	2000 m, current and voltage derating above
<b>Protection category</b>	IP 00 (acc. IEC 60529-1)
<b>Flammability corresponding to</b>	UL 94 V0
<b>Vibration and shock</b>	Vibration (IEC 60068-2-6): 10 Hz to 55 Hz (24 cycles) Shock (IEC 60068-2-27): 30 G / 18 ms (3 cycles)
<b>Design corresponding to</b>	IEC 60938-1/-2 UL 1446 E332676 - Insulation system SCH-155(F)-C
<b>MTBF (Mil-HB-217F)</b>	>2,000,000 h @ 60°C/530 V

## Typical Applications

- EV charging: (AC & DC charging stations)
- General applications

### Typical electrical schematic



## Choke Selection Table

Designation	Orientation	Rated Current @ 60°C [A]	Frame Size	Inductance*		Resistance* [mOhm]	Weight [kg]
				10kHz [mH]	100kHz [mH]		
RV8141-16-S01	Horizontal	16	1	11.18	1.61	6.5	0.27
RV8141-16-S03	Horizontal	16	3	16.30	2.35	8.1	0.37
RV8141-16-S11	Horizontal	16	11	7.73	1.12	6.5	0.20
RV8141-16-S13	Horizontal	16	13	11.60	1.64	8	0.27
RV8141-25-S01	Horizontal	25	1	6.29	0.91	3	0.28
RV8141-25-S03	Horizontal	25	3	9.17	1.32	3.7	0.39
RV8141-25-S11	Horizontal	25	11	3.95	0.57	2.7	0.21
RV8141-25-S13	Horizontal	25	13	5.92	0.84	3.3	0.28
RV8141-32-S01	Horizontal	32	1	4.37	0.63	2.1	0.28
RV8141-32-S03	Horizontal	32	3	6.37	0.92	2.7	0.39
RV8141-32-S11	Horizontal	32	11	2.52	0.36	1.8	0.21
RV8141-32-S13	Horizontal	32	13	3.79	0.53	2.2	0.28
RV8141-40-S01	Horizontal	40	1	2.80	0.40	1.3	0.28
RV8141-40-S03	Horizontal	40	3	4.08	0.59	1.5	0.40
RV8141-40-S11	Horizontal	40	11	1.42	0.21	1.1	0.21
RV8141-40-S13	Horizontal	40	13	2.13	0.30	1.3	0.28
RV8141-50-S01	Horizontal	50	1	1.57	0.23	0.9	0.28
RV8141-50-S03	Horizontal	50	3	2.29	0.33	1.1	0.38
RV8141-50-S11	Horizontal	50	11	0.63	0.09	0.7	0.19
RV8141-50-S13	Horizontal	50	13	0.95	0.13	0.9	0.27
RV8541-16-S02	Vertical	16	2	11.18	1.61	6.9	0.29
RV8541-16-S06	Vertical	16	6	5.59	0.81	5.3	0.17
RV8541-16-S12	Vertical	16	12	7.73	1.12	6.9	0.21
RV8541-16-S16	Vertical	16	16	3.87	0.56	5.6	0.12
RV8541-25-S02	Vertical	25	2	6.29	0.91	3.2	0.30
RV8541-25-S06	Vertical	25	6	3.14	0.45	2.6	0.19
RV8541-25-S12	Vertical	25	12	3.95	0.57	3	0.22
RV8541-25-S16	Vertical	25	16	1.97	0.29	2.4	0.14
RV8541-32-S02	Vertical	32	2	4.37	0.63	2.3	0.30
RV8541-32-S06	Vertical	32	6	2.18	0.32	1.8	0.19
RV8541-32-S12	Vertical	32	12	2.52	0.36	2.1	0.22
RV8541-32-S16	Vertical	32	16	1.26	0.18	1.7	0.14
RV8541-40-S02	Vertical	40	2	2.80	0.40	1.4	0.31
RV8541-40-S06	Vertical	40	6	1.40	0.20	1.2	0.20
RV8541-40-S12	Vertical	40	12	1.42	0.21	1.3	0.22
RV8541-40-S16	Vertical	40	16	0.71	0.10	1.1	0.14
RV8541-50-S02	Vertical	50	2	1.57	0.23	1	0.30
RV8541-50-S06	Vertical	50	6	0.79	0.11	0.9	0.19
RV8541-50-S12	Vertical	50	12	0.63	0.09	0.9	0.21
RV8541-50-S16	Vertical	50	16	0.32	0.05	0.8	0.14

### \* 2-line applications:

Series connection: Connect 2-3 and 6-7. => Inductance values multiply by 4, resistance doubles.

Parallel connection: Connect 1-3, 2-4, 5-7 and 6-8. => Inductance values remain the same, resistance halves.

See mechanical drawing for pin-out guidance.

**Inductance test conditions:** 10 kHz / 50 mV; 100 kHz / 1 V; tolerances +50%, -30%

**Product selector**

RV8t4x-yy-Szz

**zz: Frame Size**

01: Frame size standard	∅ 66 x 41 mm, horizontal
02: Frame size standard	64 x 42 x 66 mm, vertical
03: Frame size standard plus	∅ 66 x 53 mm, horizontal
06: Frame size standard thin	64 x 30 x 66 mm, vertical
11: Frame size small	∅ 62 x 37 mm, horizontal
12: Frame size small	60 x 38x 60 mm, vertical
13: Frame size small plus	∅ 62 x 47 mm, horizontal
16: Frame size small thin	60 x 27 x 60 mm, vertical

**yy: Current**  
16 A to 50 A

**x: Core material**  
0: Ferrite core  
1: Nanocrystalline core

**t: Orientation**  
1: Horizontal  
5: Vertical

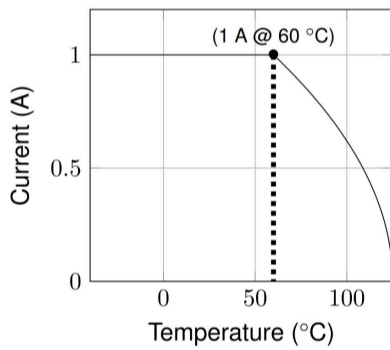
**Distribution Inventory**

Up-to-date inventory levels for global distributors is available at <https://products.schaffner.com/stock>



**Thermal Derating**

If higher ambient temperatures than the specified 60°C apply, the nominal current needs to be reduced according to the graph below.



$$I = I_N \cdot \sqrt{\frac{\Theta_{max} - \Theta_{act}}{\Theta_{max} - \Theta_N}}$$

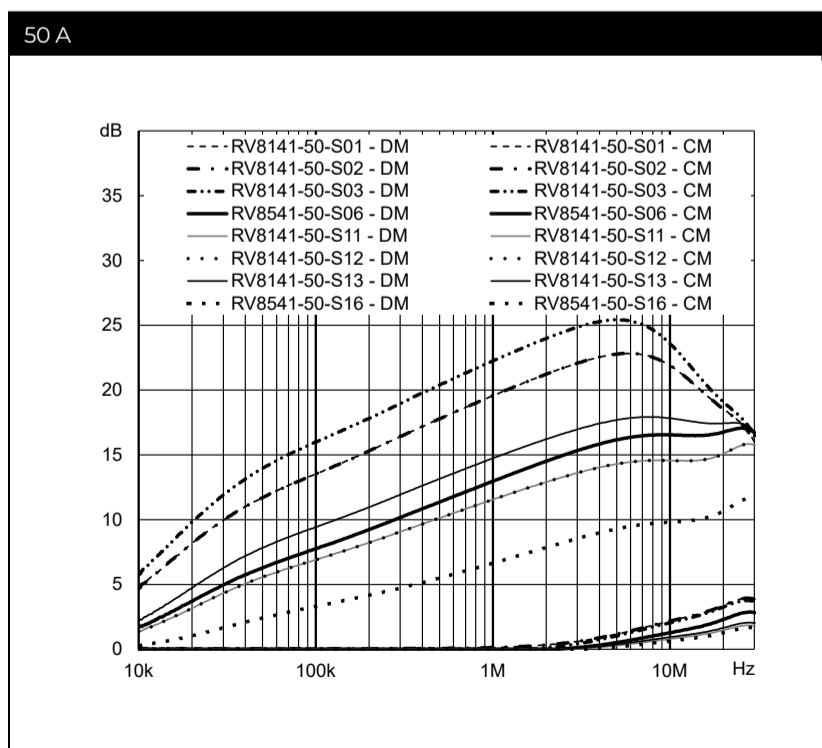
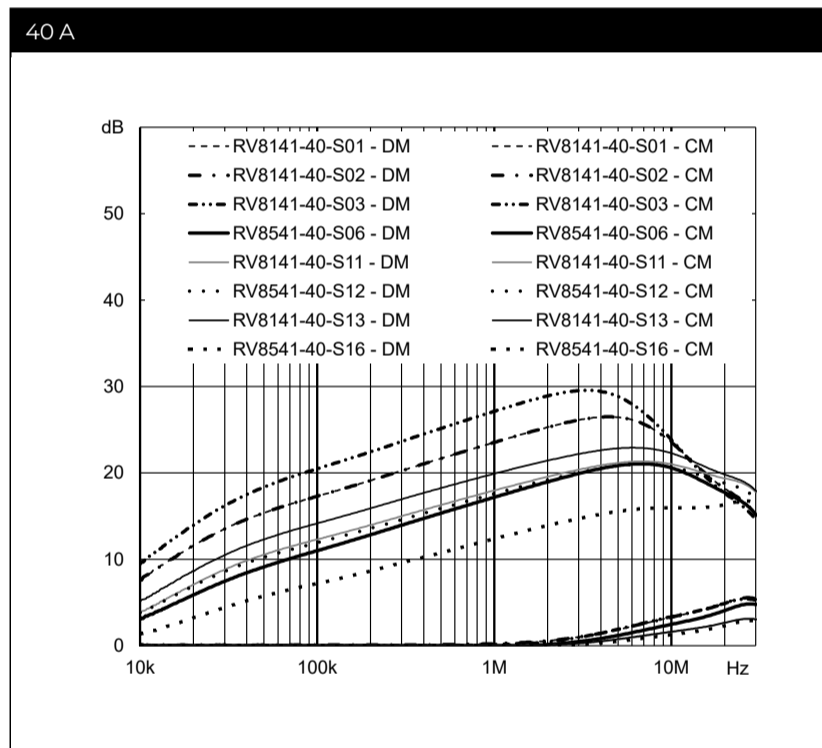
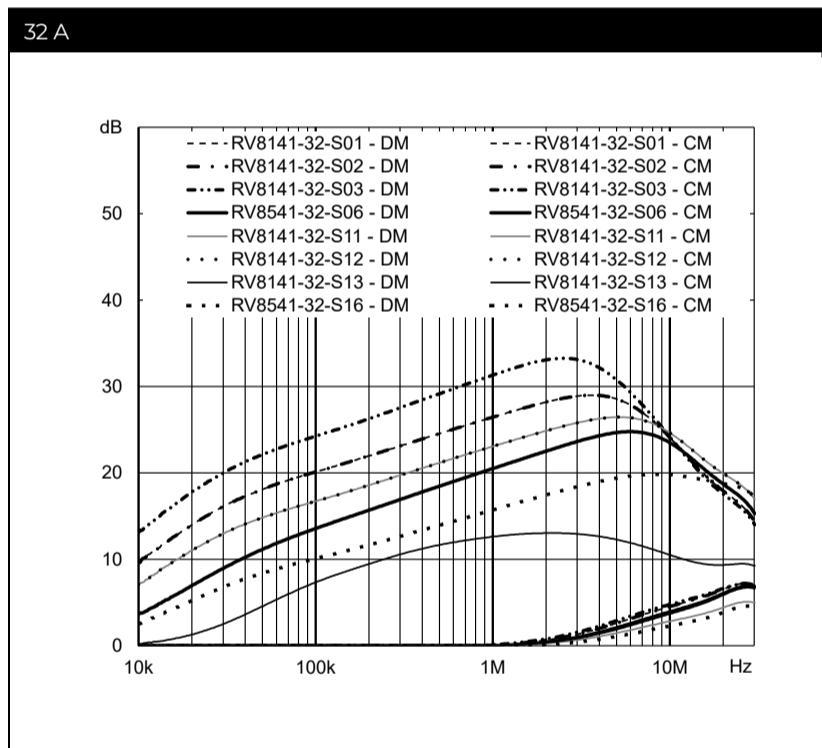
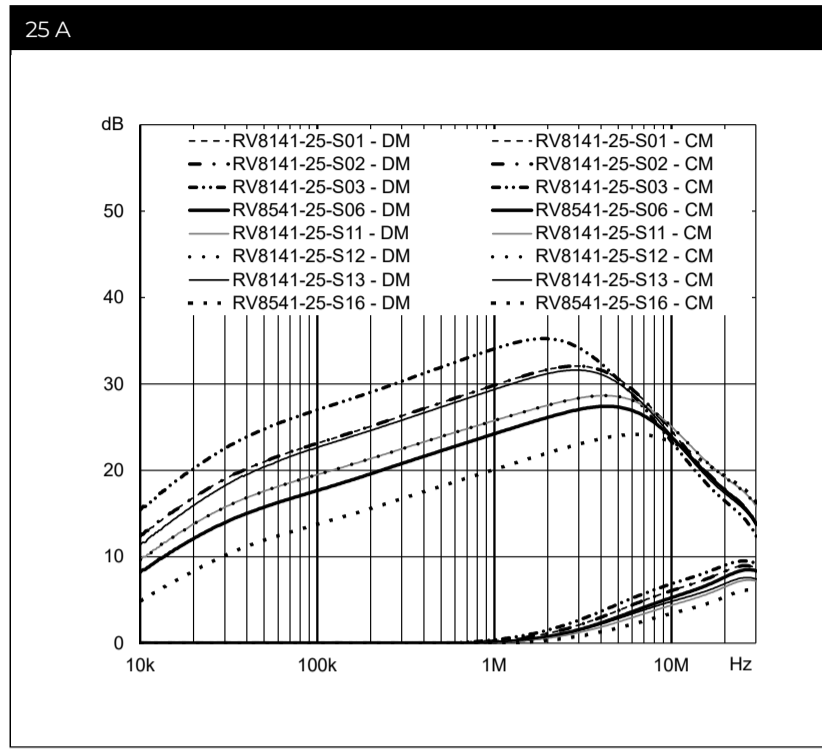
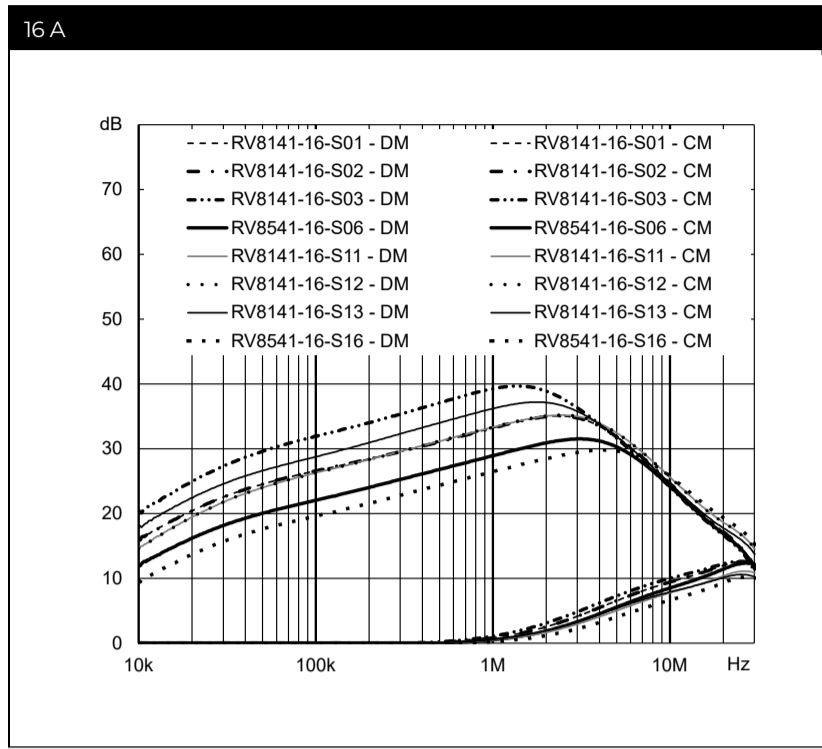
for  $\Theta_{act} > \Theta_N$  and  $\Theta_{act} < \Theta_{max}$

- $I_N$  rated current at  $\Theta_N$
- $\Theta_{act}$  actual ambient temperature
- $\Theta_N$  temperature at which the rated current is defined
- $\Theta_{max}$  rated maximum temperature of the component

Normalized current value

### Typical Choke Attenuation / Resonance Frequency Characteristics

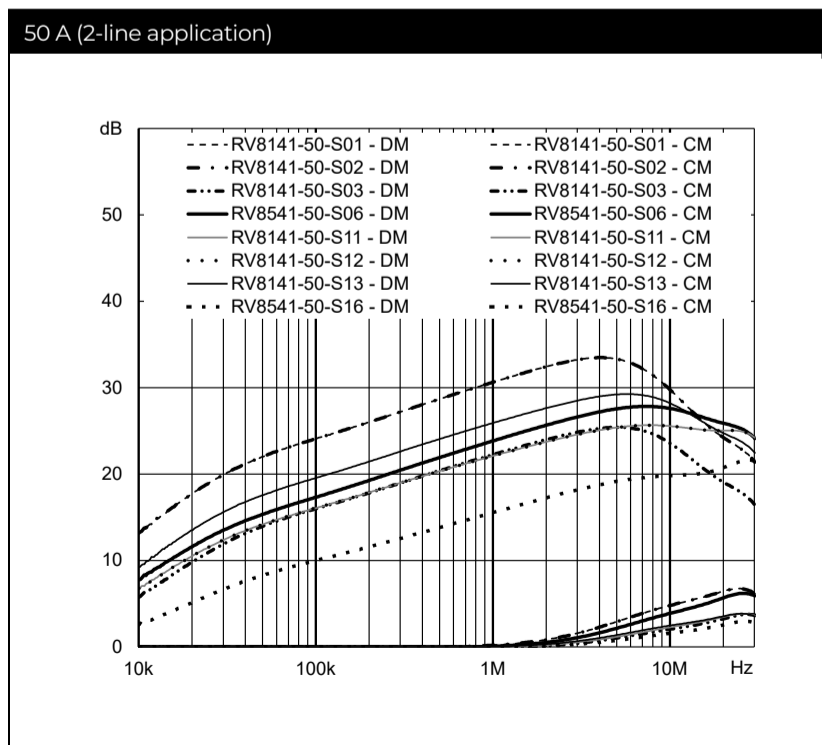
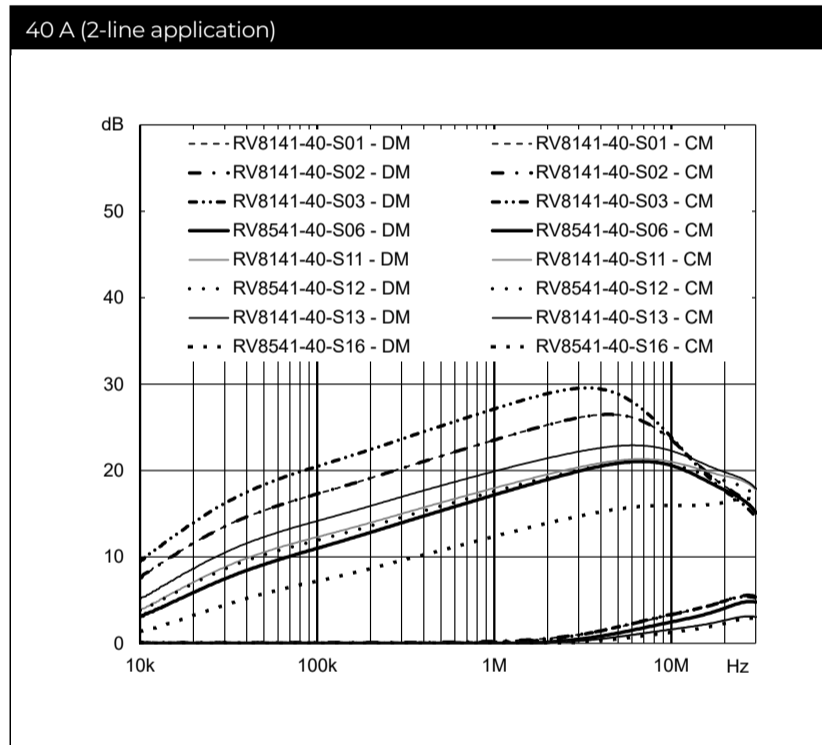
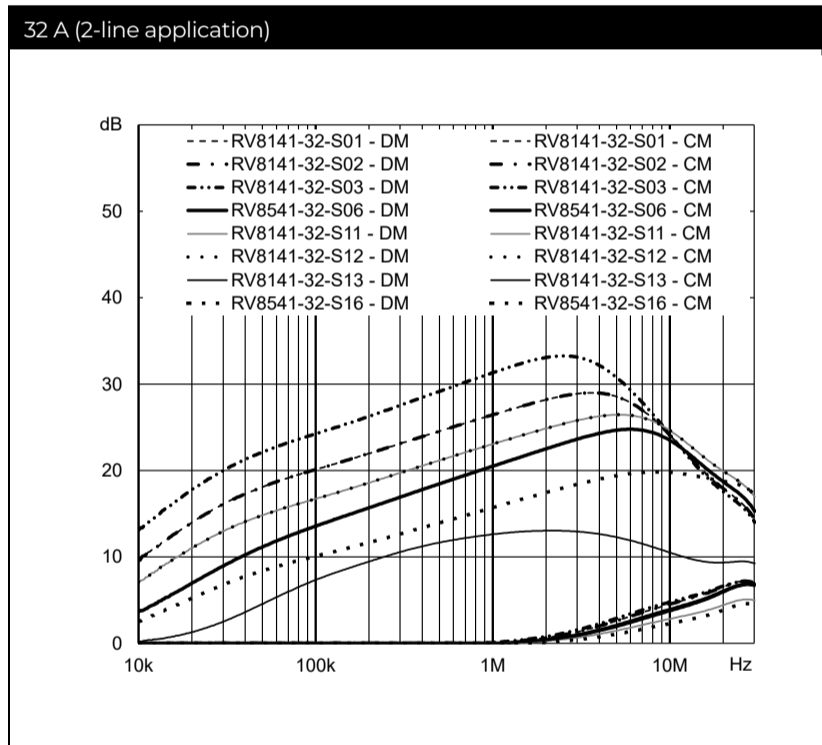
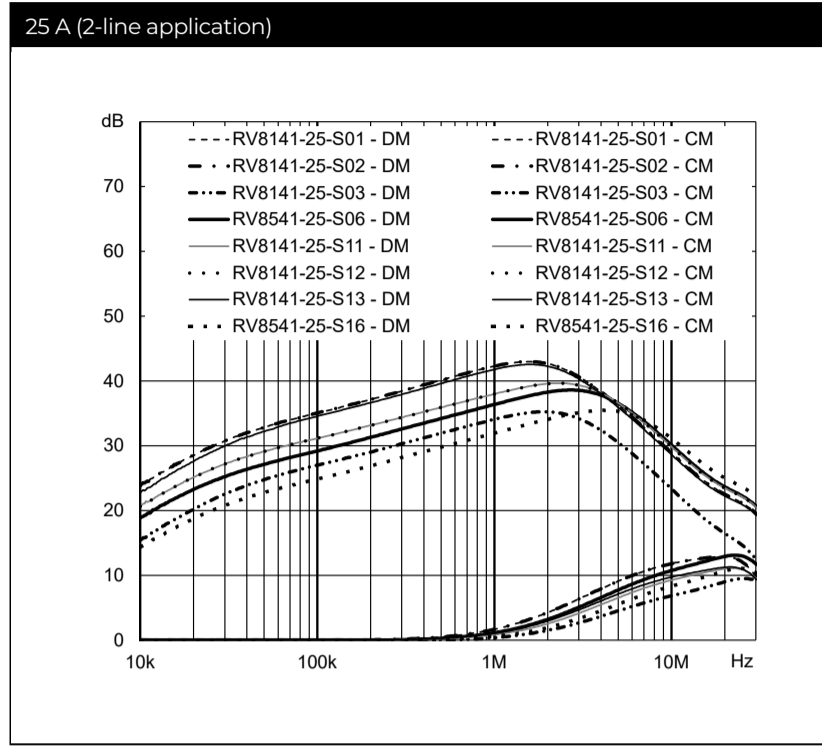
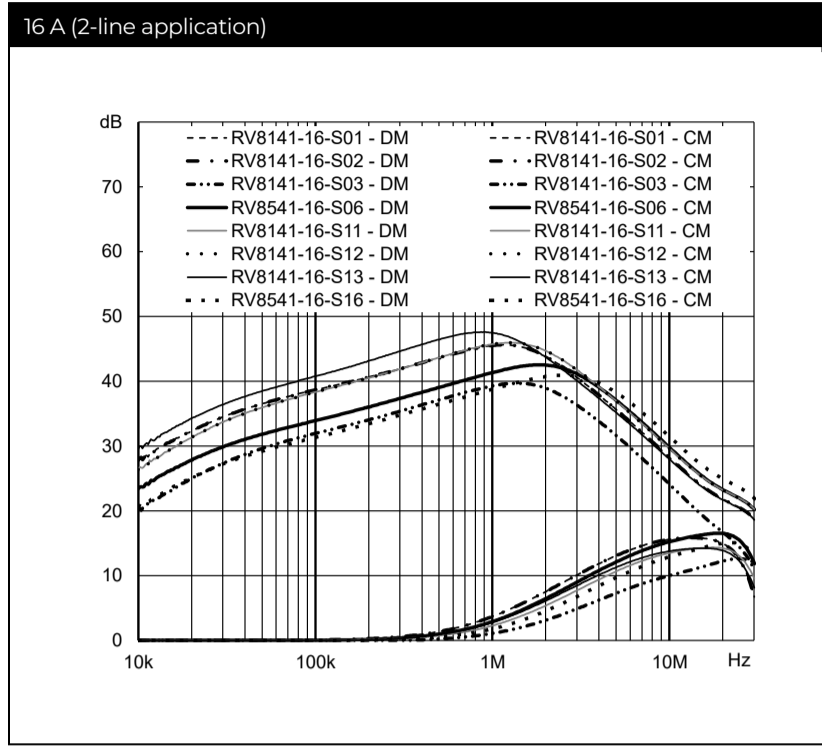
Per CISPR 17: symmetrical 50 Ω/50 Ω -> Differential Mode (DM); asymmetrical 50 Ω/50 Ω -> Common Mode (CM)  
 4-line or parallel connection



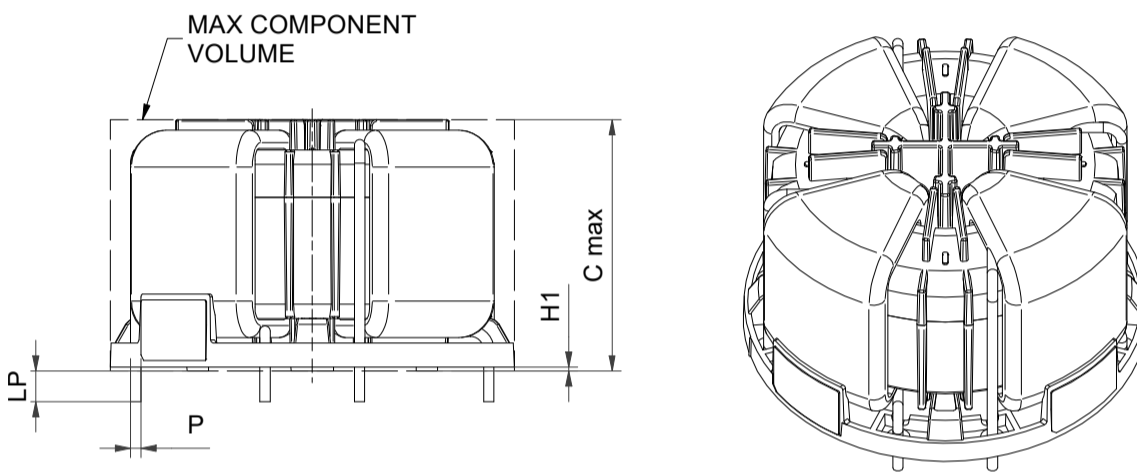
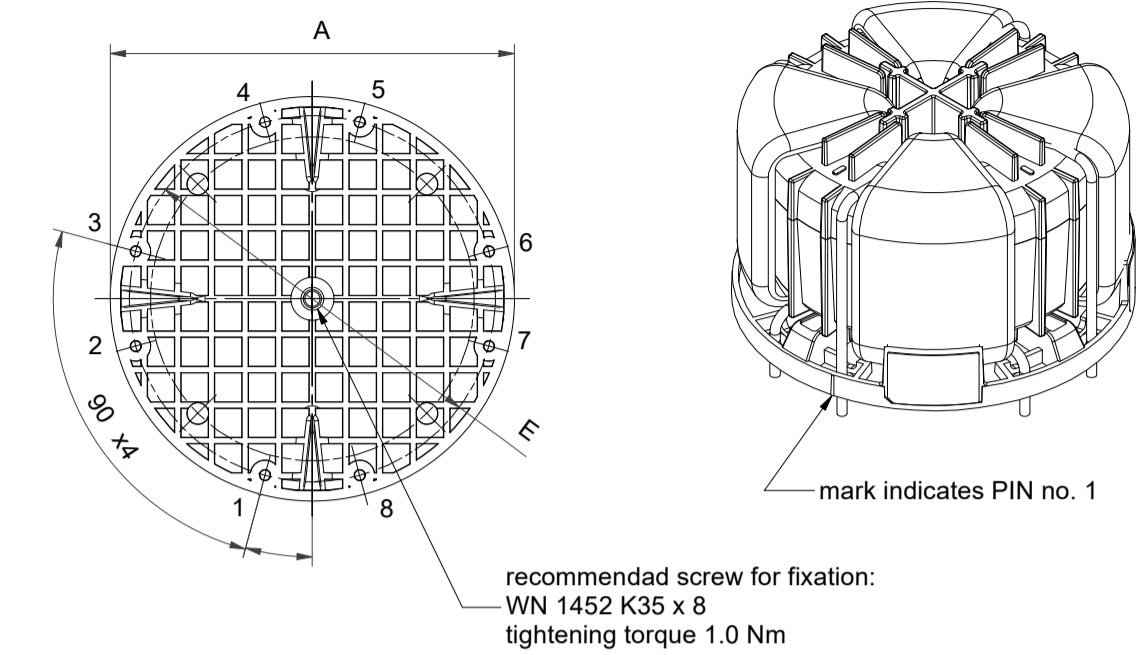
### Typical Choke Attenuation / Resonance Frequency Characteristics - 2 Line Application

Per CISPR 17: symmetrical 50 Ω/50 Ω -> Differential Mode (DM); asymmetrical 50 Ω/50 Ω -> Common Mode (CM)

For 2-line / series connection

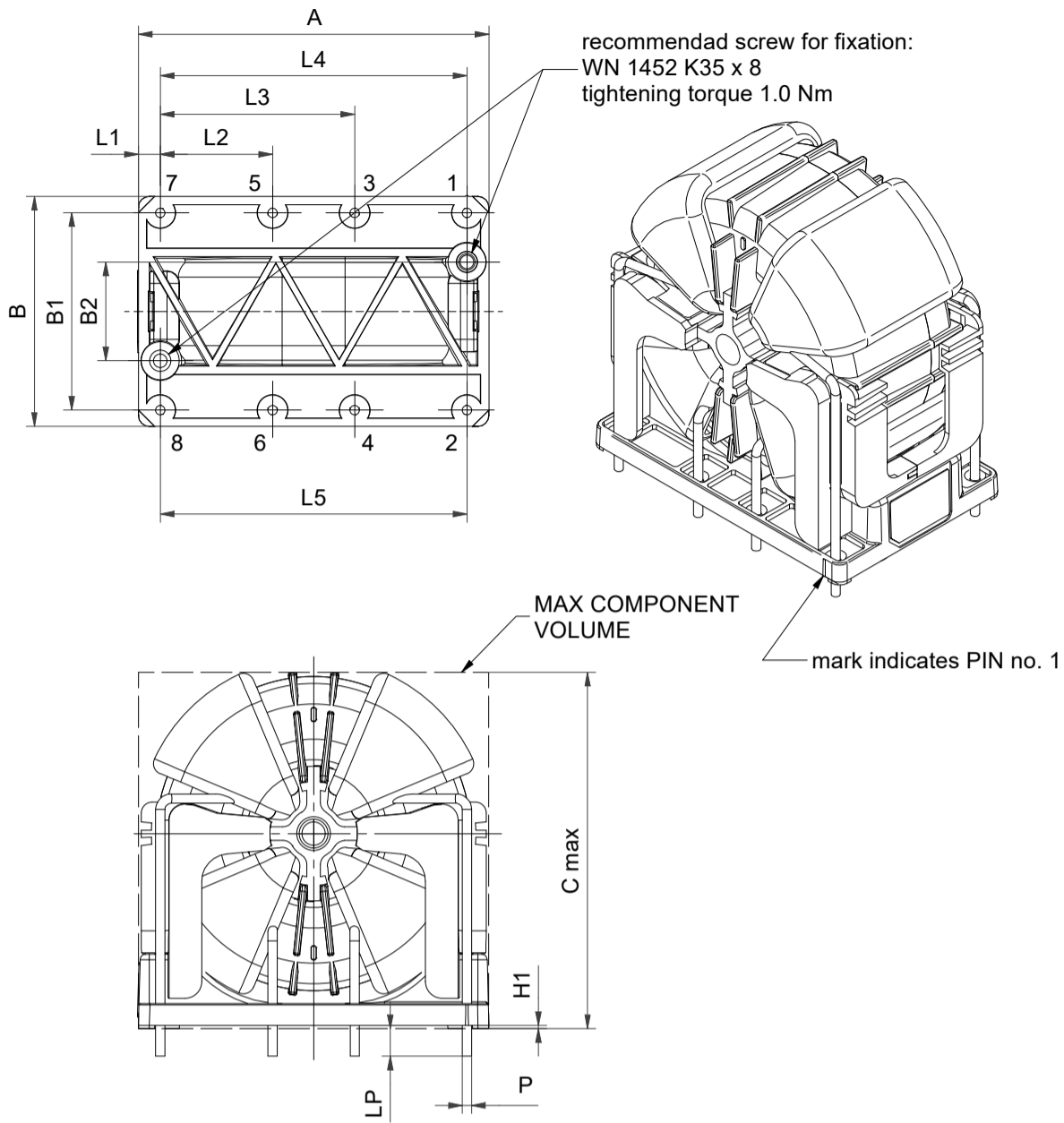


**Mechanical Data**



	$\phi A$ $\pm 0.2$	Cmax	H1 $\pm 0.1$	$\phi E$ $\pm 0.2$	$\alpha$ $\pm 1^\circ$	LP $\pm 0.5$	$\phi P$ (16A) $\pm 0.1$	$\phi P$ (25A) $\pm 0.1$	$\phi P$ (32A) $\pm 0.1$	$\phi P$ (40A) $\pm 0.1$	$\phi P$ (50A) $\pm 0.1$
RV8140/RV8141-XX-S01	66.1	41.1	0.6	59.8	15°	5	1.7	2.2	2.2	2.8	2.8
RV8140/RV8141-XX-S03	66.1	53.2	0.6	59.8	15°	5	1.7	2.2	2.2	2.8	2.8
RV8140/RV8141-XX-S11	62.1	37.1	0.6	55.4	15°	5	1.5	2.0	2.0	2.5	2.5
RV8140/RV8141-XX-S13	62.1	47.1	0.6	55.4	15°	5	1.5	2.0	2.0	2.5	2.5

**Mechanical Data**



	Cmax	H1	B	B1	B2	A	L1	L2	L3	L4	L5	LP	∅ P (16A)	∅ P (25A)	∅ P (32A)	∅ P (40A)	∅ P (50A)
		±0.1	±0.2	±0.4	±0.2	±0.2	±0.1	±0.4	±0.4	±0.4	±0.4	±0.5	±0.1	±0.1	±0.1	±0.1	±0.1
RV8540/RV8541-XX-S02	65.5	0.6	42	36	18	64	4	20.5	35.5	56	56	5	1.7	2.2	2.2	2.8	2.8
RV8540/RV8541-XX-S06	65.5	0.6	30	24	0	64	4	20.5	35.5	56	46	5	1.7	2.2	2.2	2.8	2.8
RV8540/RV8541-XX-S12	59.7	0.6	38	32	12	60	4	18.5	33.5	52	46	5	1.5	2.0	2.0	2.5	2.5
RV8540/RV8541-XX-S16	59.7	0.6	27	21	0	60	4	18.5	33.5	52	42	5	1.5	2.0	2.0	2.5	2.5

## Headquarters, Global Innovation and Development

### Switzerland

**Schaffner Group**  
Industrie Nord  
Nordstrasse 11e  
4542  
Luterbach  
+41 32 681 66 26  
[info@schaffner.com](mailto:info@schaffner.com)

## Sales and Application Centers

### Finland

**Schaffner Oy**  
Lohjanharjuntie 1109  
8500  
Lohja  
+358 50 468 7284  
[finlandsales@schaffner.com](mailto:finlandsales@schaffner.com)

### France

**Schaffner EMC S.A.S.**  
16-20 Rue Louis Rameau  
95875  
Bezons  
+33 1 34 34 30 60  
[francesales@schaffner.com](mailto:francesales@schaffner.com)

### Germany

**Schaffner Deutschland GmbH**  
Ohiostr. 8  
76149  
Karlsruhe  
+49 721 56910  
[germanysales@schaffner.com](mailto:germanysales@schaffner.com)

### India

**Schaffner India Pvt. Ltd (Registered & Sales office)**  
Regus World Trade Centre  
WTC 22nd Floor Unit No 2238 Brigade  
Gateway Campus 26/1 Dr. Rajkumar Road  
Malleshwaram (W)  
560055  
Bangalore  
+91 8067935355  
[indiasales@schaffner.com](mailto:indiasales@schaffner.com)

### United Kingdom

**Schaffner Ltd.**  
Suite 1 Oakmede Place  
Terrace Road  
RG42 4JF  
Binfield  
+44 118 9770070  
[uksales@schaffner.com](mailto:uksales@schaffner.com)

### United States

**Schaffner EMC Inc.**  
52 Mayfield Avenue  
Edison, New Jersey  
+1 732 225 9533  
[usasales@schaffner.com](mailto:usasales@schaffner.com)

### Sweden

**Schaffner EMC AB**  
Östermalmstrorg 1  
114 42  
Stockholm  
+46 8 5050 2425  
[swedensales@schaffner.com](mailto:swedensales@schaffner.com)

### Switzerland

**Schaffner EMV AG**  
Industrie Nord  
Nordstrasse 11e  
4542  
Luterbach  
+41 32 681 66 26  
[switzerlandsales@schaffner.com](mailto:switzerlandsales@schaffner.com)

### Taiwan

**Schaffner EMV Ltd.**  
U-Town  
20 Floor-2 No 97 Section 1 XinTai 5th Road  
XiZhi District  
22175  
New Taipei City  
+886 226975500  
[taiwansales@schaffner.com](mailto:taiwansales@schaffner.com)

### Italy

**Schaffner EMC S.r.l.**  
Via Ticino, 30  
20900  
Monza (MB)  
+39 039 21 41 070  
[italysales@schaffner.com](mailto:italysales@schaffner.com)

### Japan

**Schaffner EMC K.K.**  
ISM Sangenjaya  
7F 1-32-12 Kamiuma Setagaya-ku  
154-0011  
Tokyo  
+81 3 5712 3650  
[japansales@schaffner.com](mailto:japansales@schaffner.com)

### Singapore

**Schaffner EMC Pte Ltd.**  
Blk 3015A Ubi Road 1 #05-09 Kampong Ubi  
Industrial Estate  
408705  
Singapore  
+65 63773283  
[singaporesales@schaffner.com](mailto:singaporesales@schaffner.com)

To find your local partner within Schaffner's global network [schaffner.com](http://schaffner.com)

© 2023 Schaffner Group

The content of this document has been carefully checked and understood. However, neither Schaffner nor its subsidiaries assume any liability whatsoever for any errors or inaccuracies of this document and the consequences thereof. Published specifications are subject to change without notice. Product suitability for any area of application must ultimately be determined by the customer. In all cases, products must never be operated outside their published specifications. Schaffner does not guarantee the availability of all published products. This disclaimer shall be governed by substantive Swiss law and resulting disputes shall be settled by the courts at the place of business of Schaffner Holding AG. Latest publications and a complete disclaimer can be downloaded from the Schaffner website. All trademarks recognized.